

Job Name: _____
 Location: _____
 Contact #: _____



Specifications

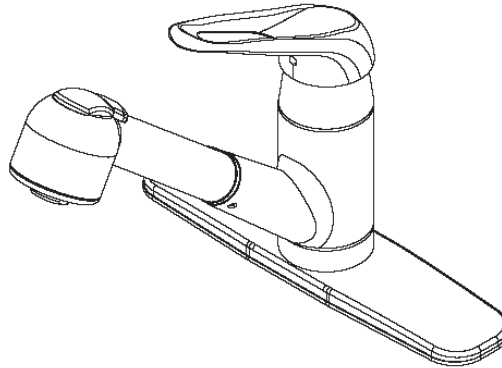
Model

414125 – Chrome finish
 416228 –Brushed Nickel with PVD finish

Description

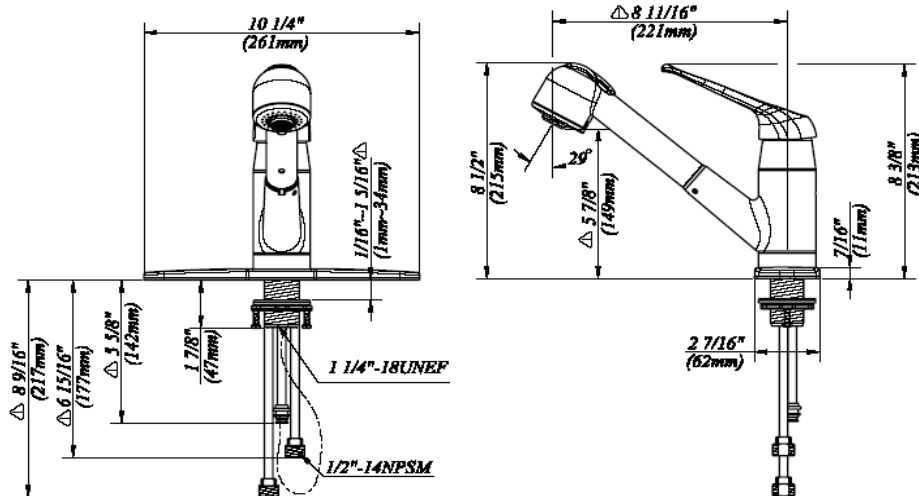
- o Solid brass & copper waterways
- o Fits 8" center holes
- o Drip-free ceramic cartridge
- o 1/2" 14 NPS Inlet
- o Metal lever handle
- o With pull-out spray
- o Water saving aerator
- o Max flow rate: 1.8 GPM at 60Psi
- o 100% factory pressure tested before shipment

8" Single Handle Kitchen Faucet



Standards

- o ASME A112.18.1M/A112.18.1
- o CSA B125
- o NSF/ANSI 61 – Sec. 9
- o NSF/ANSI 372
- o IAPMO/cUPC
- o ADA
- o Calgreen



NSF/ANSI 372
 NSF/ANSI 61-9



Technical Support

888-328-2383

Manufacturer model#FP1C4000

Warranty Parts List

8" Single Handle Kitchen Faucet

#	Description	Part #
1	Metal Handle	A069019
2	Index Button-Cold/Hot	A66D569
3	Trim Cap	A103037
4	Locking Nut	A104008
5	Ceramic Disc Cartridge	A507348N
6	Spray Head	A523036N-54
7	Hose Guide	A126003KP
8	Mounting Hardware Assembly	A603171
9	Cover Plate & Putty Plate	A667003
10	Hose Adaptor Assembly	A66G422N
11	Spray Hose	A66D561N
12	Hex (H2.5 * 19 mm L * 53 mm L)	A031000NI
13	Weight	A504718
14	O-Ring Set(Φ1/4" ID * Φ3/8" OD)	A668178N

